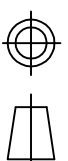


DO NOT SCALE - IF IN DOUBT ASK

PROJECTION



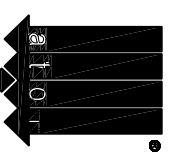
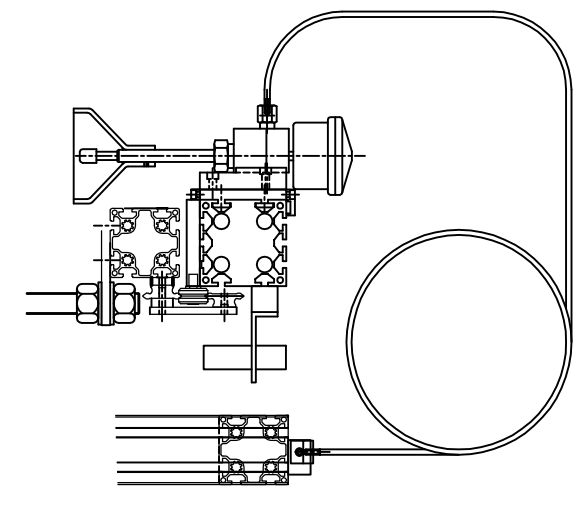
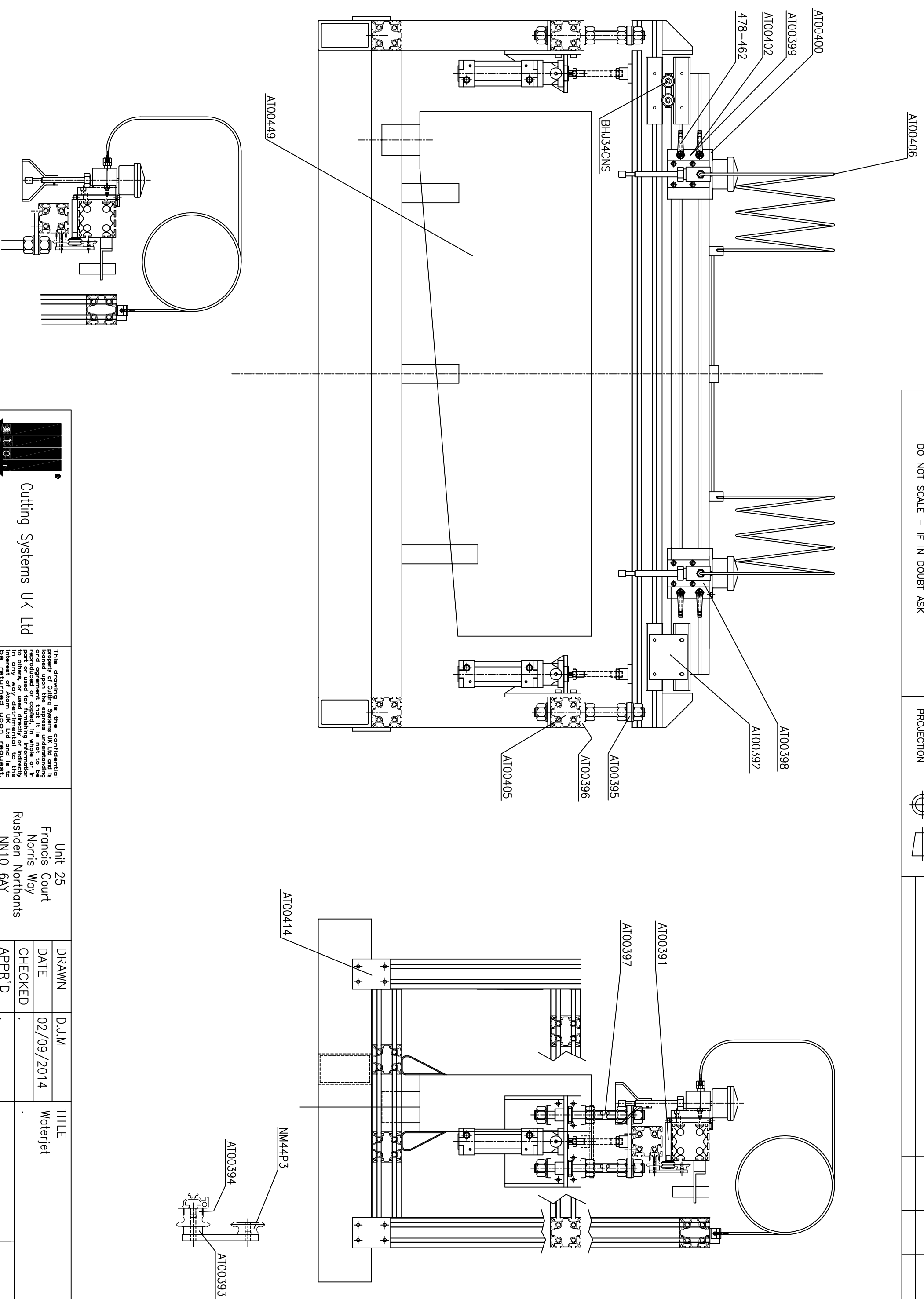
REVISION

BY

DATE

CHECKED

REV



Cutting Systems UK Ltd

This drawing is the confidential property of Cutting Systems UK Ltd and is loaned upon the express understanding and agreement that it is not to be reproduced or copied, in whole or in part, for any other purpose, directly or indirectly, in any way detrimental to the interest of Atom UK Ltd and is to be returned upon request. All Rights reserved.

Unit 25
Francis Court
Norris Way
Rushden Northants
NN10 6AY
Tel. 01933 359359

DRAWN	D.J.M
DATE	02/09/2014
CHECKED	.
APP'R'D	.
SCALE	.

TITLE	REV
Waterjet	
DWG No AT00418	